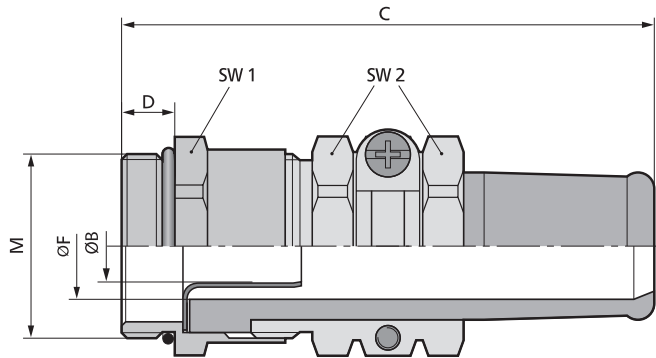


SKINDICHT® SRE-M



SKINDICHT® SRE-M

Benefits

- Perfect seal with antikink protection
- Optimal low-resistance 360° screen contact
- Cable protecting strain relief
- Gentle cable clamping
- High degree of protection

Application range

- Brass gland for earthing with additional antikin protection. For applications where electrical interference fields may accure.
- Flexing machine parts
- Conveying and transport systems
- Production lines
- Measurement and control technology

Approvals (Norm references)



Design

- Metric connection thread acc. to EN 50262

Note

- Counter nut to be used SKINDICHT® SM-M
- For painted, anodised or powdered-coated housings, you will require our EMC counter nut SKINDICHT® SM-PE-M for best contact

Technical data

- Caution**
Installation dimensions see Appendix T21
- On request**
Available with long connection thread
- Material**
Body: nickel plated brass
Earthing sleeve: plain brass
Anti-kink sleeve: CR/NBR
O-ring: NBR
- Degree of protection**
IP 65
- Range of temperature**
-20°C up to +80°C

Part number	Part designation / size	Function thread PG	Outer sheath clamping range ØF mm	Inner sheath clamping range mm	SW1 / SW2 mm	Overall length C mm	Thread length D mm	Clear opening EH ØB	Clear opening F mm	Pieces / PU
SKINDICHT® SRE-M										
52105600	20 x 1,5	13,5	7,5 - 9	4,5 - 6	22 / 22	59,5	6,0	6,0	9	25
52105610	20 x 1,5	13,5	9 - 11	5,5 - 7	22 / 22	59,5	6,0	7,0	11	25
52105620	20 x 1,5	16	11 - 13	7 - 9	24 / 24	64,5	6,0	9,0	13	25
52105630	20 x 1,5	16	11 - 13	8 - 10	24 / 24	64,5	6,0	10,0	13	25
52105640	20 x 1,5	16	13,5 - 15	9 - 11	24 / 24	64,5	6,0	11,0	15	25
52105650	25 x 1,5	21	13,5 - 15	10 - 12	30 / 30	78,0	7,0	12,0	15	25
52105660	25 x 1,5	21	15 - 17	12 - 14	30 / 30	78,0	7,0	14,0	17	25
52105670	25 x 1,5	21	17 - 19	13 - 15	30 / 30	78,0	7,0	15,0	19	25
52105680	25 x 1,5	21	18 - 20	14 - 16	30 / 30	78,0	7,0	16,0	20	25
52105690	32 x 1,5	29	18 - 20	15 - 17	40 / 40	90,0	8,0	17,0	20	10
52105700	32 x 1,5	29	21 - 23	17 - 19	40 / 40	90,0	8,0	19,0	23	10
52105710	40 x 1,5	36	23,5 - 26	20 - 22	50 / 50	108,0	8,0	22,0	26	5
52105720	40 x 1,5	36	27 - 30	22 - 24	50 / 50	108,0	8,0	24,0	30	5
52105730	40 x 1,5	36	30 - 33	26 - 28	50 / 50	108,0	8,0	28,0	33	5
52105740	40 x 1,5	36	32 - 35	28 - 30	50 / 50	108,0	8,0	30,0	35	5